

YellowJacket®

PLASTIC RACK PROTECTORS



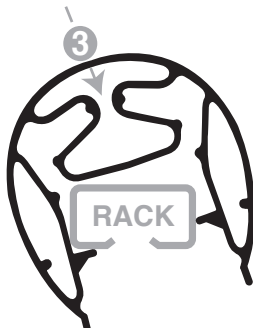
Patent Pending

INSTALLATION INSTRUCTIONS

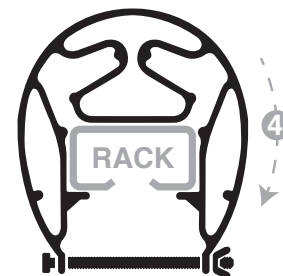
INSTALLING YELLOW JACKET RACK PROTECTORS IS SIMPLE



- 1 Latch tab behind back corner of rack leg.
- 2 Stretch Yellow Jacket around rack leg.



- 3 Press center of Yellow Jacket down, pushing tab over opposite corner of rack.



- 4 Rotate Yellow Jacket around rack leg. Snap tab securely over back corner and secure with bolt and wing nut.

ENGLISH

ESPAÑOL

- 1 Abroche la lengüeta que se encuentra detras de la esquina posterior de la pata de la anaquel (rack)
- 2 Restire "Yellow Jacket" sobre la pata de la anaquel (rack).

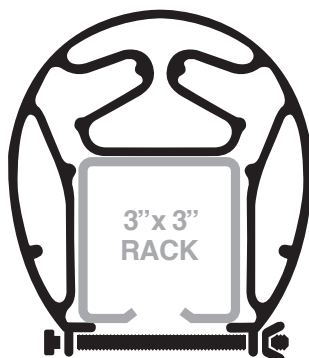
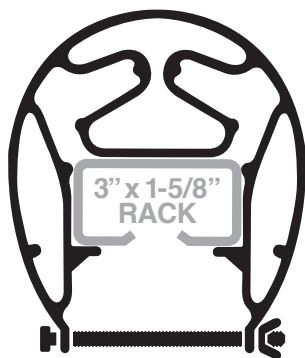
- 3 Presione el centro del "Yellow Jacket", empujando la lengüeta sobre la esquina opuesta de la anaquel (rack)

- 4 Gire el "Yellow Jacket" alrededor de la pata de la anaquel. Coloque la lengüeta de manera segura sobre la esquina posterior y asegúrela con un tornillo y tuerca de mariposa.

TWO SIZES AVAILABLE

YJ-3x1-5/8

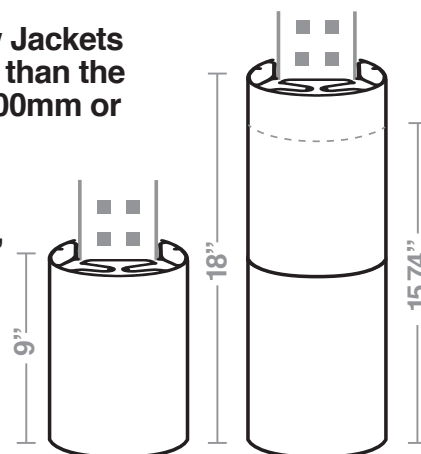
YJ-3x3



STACKABLE

Stack two 9" Yellow Jackets for more protection than the industry required 400mm or 15.74 inches.

Coloque el "Yellow Jacket" encima de otro, lo cual proporcionará mayor protección comparado con que el requerimiento industrial de 400mm o 15.74 pulgadas.



(972) 735-8866 TOLL FREE: (800) 288-9748 www.YellowJacketRackProtectors.com



DISCLAIMER: Yellow Jacket Rack Protectors can reduce the probability of your racks becoming damaged, but should not be relied upon to either repair damage that has already occurred or eliminate all potential damage that might occur. You should still exercise the normal cautions.